

**PLEASE CHECK WWW.MOLEX.COM FOR LATEST PART INFORMATION**

**Part Number:** [0357254710](#)  
**Status:** **Active**  
**Description:** 6.35mm (.250") Tab Safe Locking Wire-To-Board Terminal, Female, 14-10 AWG, Pre-Tin Plated

**Documents:**

[Drawing \(PDF\)](#) [RoHS Certificate of Compliance \(PDF\)](#)  
[Product Specification PS-35162-001 \(PDF\)](#)

**Agency Certification**

UL E92853

**General**

Product Family Crimp Terminals  
 Series [35725](#)  
 Crimp Quality Equipment Yes  
 Product Name Tab and Receptacle

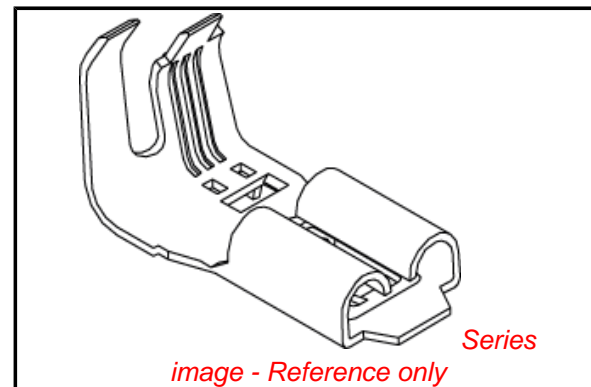
**Physical**

Gender Female  
 Material - Metal Brass  
 Material - Plating Mating Tin  
 Material - Plating Termination Tin  
 Packaging Type Reel  
 Plating min: Mating (µin) 32.00  
 Plating min: Mating (µm) 0.800  
 Plating min: Termination (µin) 32.00  
 Plating min: Termination (µm) 0.80  
 Termination Interface: Style Crimp or Compression  
 Wire Insulation Diameter 2.80-5.00mm (.110-.197")  
 Wire Size AWG 10, 12, 14  
 Wire Size mm<sup>2</sup> N/A

**Material Info**

**Reference - Drawing Numbers**

Product Specification PS-35162-001  
 Sales Drawing SD-35725-4\*10



**EU RoHS**

**ELV and RoHS Compliant**  
**REACH SVHC**  
**Contains SVHC: No**  
**Halogen-Free Status**

**China RoHS**



**Need more information on product environmental compliance?**

Email [productcompliance@molex.com](mailto:productcompliance@molex.com)  
 For a multiple part number RoHS Certificate of Compliance, [click here](#)

Please visit the [Contact Us](#) section for any non-product compliance questions.

**Search Parts in this Series**

[35725Series](#)

**Mates With**

6.35mm (.250") Tab

**Use With**

[35162](#) , [35818](#)

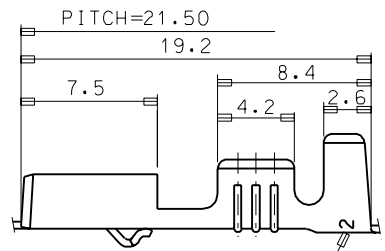
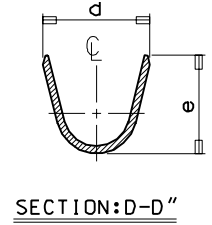
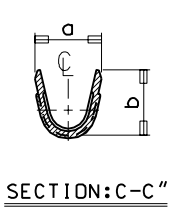
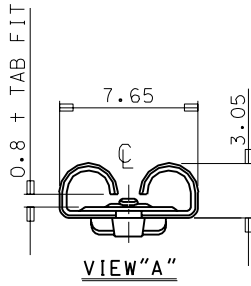
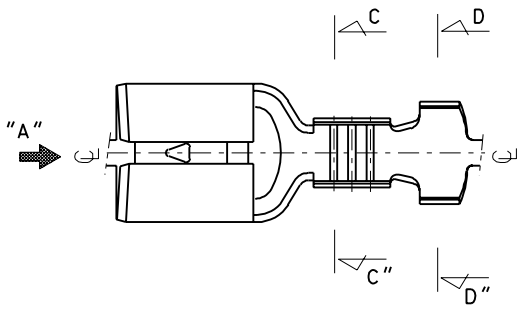
ENG. NO

EDP NO.

SIMILAR ITEM

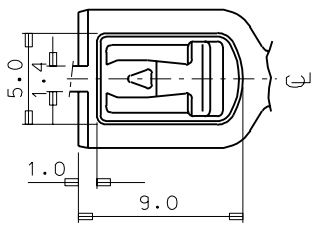
PROJECT NO.

DO NOT SCALE DRAWING  
DIMENSION IN METRIC



TRADE MARK  
MK2

ENG.NO.	a	b	d	e	WIRE RANGE	INS. DIA.	Q' TY/REEL
35725-4510	2.7	3.0	4.6	4.4	AWG #22-#18	1.5-3.0	5,000
35725-4610	3.7	3.6	5.8	5.8	AWG #18-#14	2.2-3.6	5,000
35725-4710	5.9	5.2	7.5	6.2	AWG #14-#10	2.8-5.0	4,000



NOTES

1. MATERIAL: BRASS 0.40 THICKNESS
2. FINISH: PRE-TIN PLATING
3. MATING TAB THICKNESS: 0.8
4. RECOMMENDED LENGTH OF WIRE STRIP IS 5.5-6.0

ASS'Y PART		QTY/REEL OR PACK	SURFACE AREA	MATERIAL	WIRE RANGE	GENERAL TOLERANCES	MOLEX MOLEX-KOREA CO.,LTD.
DESCRIPTION	ENG.NO.						
		---	---	---	MM <sup>2</sup> :	ANGLE :	REVISE ONLY ON CAD SYSTEM
		DIE NO. ---	LAYOUT NO. ---	<input checked="" type="checkbox"/> : CRITICAL <input checked="" type="checkbox"/> : MAJOR <input type="checkbox"/> : MINOR        ( ) : REFERENCE		INSULATION RANGE	TITLE: .250 SAFE LOCK RECEPTACLE
		WIRE CRIMP WIDTH	INS. CRIMP WIDTH	DRAWN BY W. Y. YANG	CHK'D BY B. K. CHOI		ENG. NO. SD35725-4510/4610/4710
LTR	REVISION RECORD	ECN	IBDW	APP'D BY	SCALE 4:1		1 of 1 REV B